

# P 120



## TECHNICAL DATA

Fluid connections	<b>1" BSP</b>
Air connection	<b>3/8" BSP</b>
Max. flow rate	<b>120 lt/min</b>
Max air pressure	<b>8 bar</b>
Max delivery head	<b>80 m</b>
Max suction lift dry	<b>5 m</b>
Max suction lift wet	<b>9,8 m</b>
Max solid passing	<b>4 mm</b>
Noise level	<b>72 dB</b>
Max viscosity	<b>25.000 cps</b>
Displacement per stroke	<b>200 CC ~</b>

II 2/2 G Ex h IIC T4 Gb

II 2 D Ex H IIIB T135°C Db X

Displacement per stroke may vary based on suction condition, discharge head, air pressure and fluid type.

**ALUMINUM**



**WEIGHT**

**6,5 KG**

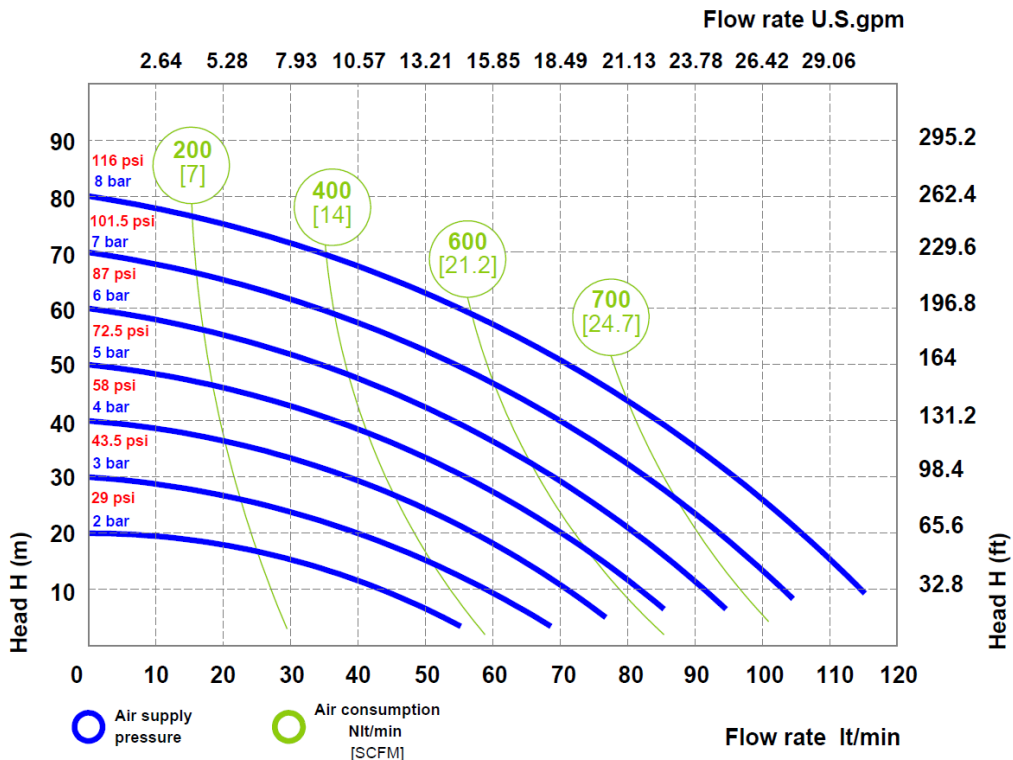
**TEMPERATURE**

**-20°C**

**+95°C**

## PERFORMANCE

The curves and performance values refer to pumps with submerged suction and free delivery outlet, with water at 20 °C. These data may vary according to the construction materials and hydraulic conditions.



FLUIMAC S.r.l. - Via Breascia, 1 - 21049 - Tradate - VA - ITALY  
 info@fluimac.com - www.fluimac.com  
 tel. +39 0331 866688 - Fax +39 0331 864870  
 P.I./VAT 03259160129

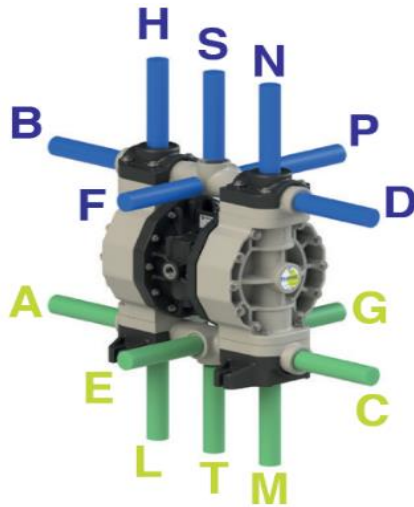




# P 120

## COMPOSITION

MODEL	CASING	DIAPHRAGM	BALLS	SEATS	GASKET	CONNECTIONS	ATEX	PORTS
PO120	A = ALU	HT = HYTREL+PTFE MT = SANTOPRENE+PTFE H = HYTREL M = SANTOPRENE D = EPDM N = NBR	T = PTFE S = SS D = EPDM N = NBR	S = SS	D = EPDM V = VITON N = NBR T = PTFE	1 = BSP 2 = FLANGED 5 = NPT	X = ZONE I	AB = STANDARD



## AVAILABLE CONNECTIONS

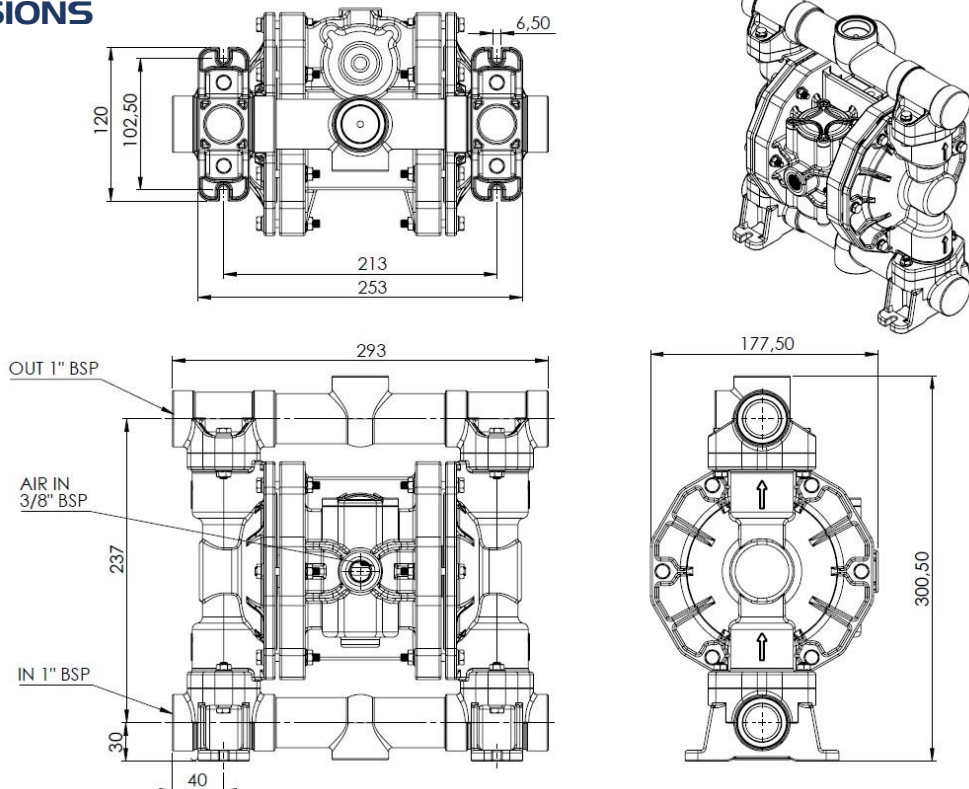
**DELIVERY: B-D-F-P-S**

**SUCTION: A-C-E-G-T**

## PACKING DIMENSION

CARTON BOX: 32 x 21 x 30 cm

## DIMENSIONS



Technical data are approximate and not binding for the manufacturer who reserves the right to change them without notice at any time.



FLUIMAC S.r.l. - Via Breascia, 1 - 21049 - Tradate - VA - ITALY  
 info@fluimac.com - www.fluimac.com  
 tel. +39 0331 866688 - Fax +39 0331 864870  
 P.I./VAT 03259160129

